

Digital Weighing Indicator

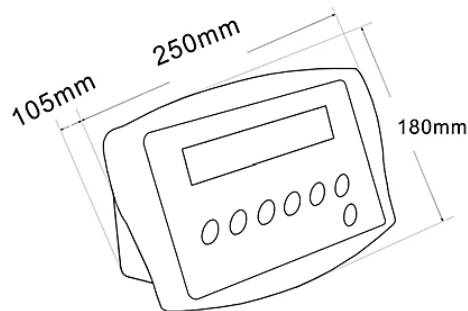
Features :~

- 24mm LCD display with backlight
- Rechargeable batter operation, up to 90 hours of continuous use
- Programmable to meet your needs
- Function include units conversion, counting, check weighing, accumulation, animal scale



Optional :~

- RS232 interface can connect LP-50 label printer, TPuP mini printer or computer



Specification :~

MODEL	KW
DISPLAY	24mm LCD display with backlight
OPERATE TEMP.	0 c ~ +40 c
ADC	Sigma delta
ADC UPDATE	≤ 1/10 second
HOUSING	ABS plastic
INTERNAL COUNTS	600,000
MAX.DIVISIONS	30,000d(Max) 6,000d(approved)
KEYPAD	7 keys membrane switch
POWER	AC adapter (9V/800mA) rechargeable battery (6V/4Ah)
GROSS WEIGHT	2.5kg

* Designs and specifications are subject to change for improvement without prior notice.

BAN HING HOLDING SDN BHD

No. 13-3, Jalan Raja Laut, 50350 Kuala Lumpur, Malaysia.

Tel: 603-4048 1000 / 4042 5970

Fax: 603-4050 8000

Website: www.banhing.com

Email: enquiry@banhing.com