

## Digital Mini Crane Scale

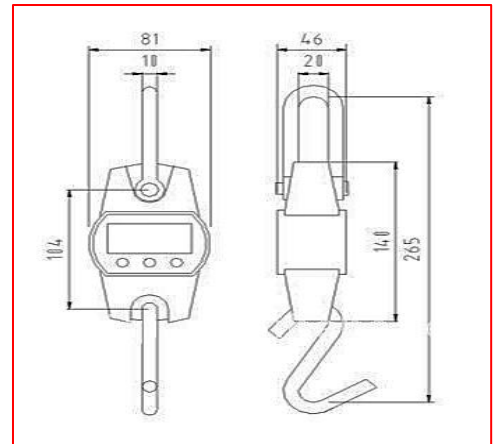
### Features :~

- Aluminum die-casting enclosure
- Fast resolution switching
- Stainless steel shackle and hook
- 20mm(0.8") LCD display
- Fixed hook
- Idle mode to maximize the battery life
- HOLD function
- Tare In / Tare Out
- Unit switch: kg / lb / N
- Auto overload alarm at 100%F.S. +9°
- Auto shutdown function
- Easy to replace battery



### Basic Parameters:~

- Accuracy Class: OIML Class III
- Display: 20mm(0.8") LCD
- Tare Range: Full capacity
- Safe Overload: 120%Max. Capacity
- Overload Indication: 100%Max. Capacity +9e
- Ultimate Overload: 300%Max. Capacity
- Operation Time: 100 hours
- Operating Temperature: -10 to +40 [15 to 105 ]
- Operating Humidity: < 85%RH under 20 [68 ]
- Battery: 3 1.5VAA Battery (included)



### Specification :~

Model	OCS-L-120	OCS-L-300
Capacity	120kg	300kg
Graduation	50g	100g
Min.Weight	1000g	2000g
Resolution	2400	3000
Temperature range	-10°C ~ 40°C	
Battery	1.5VAAx3	

\* Designs and specifications are subject to change for improvement without prior notice.

## BAN HING HOLDING SDN BHD

No. 13-3, Jalan Raja Laut, 50350 Kuala Lumpur, Malaysia.

Tel: 603-4048 1000 / 4042 5970

Fax: 603-4050 8000

Website: [www.banhing.com](http://www.banhing.com)

Email: [enquiry@banhing.com](mailto:enquiry@banhing.com)