

Digital Crane Scale

WEIGHING PERFORMANCE:

- Good dynamic weighing system, weighing result not subject to influence of swaying.
- Auto battery power display when shut on/off.
- High accuracy and high stability because of 1,000,000 internal resolution.
- Auto shut off (prevent of battery loss because of forget to shut off)
- With remote controller, easy to operate.
- Add up, auto add up, tare, remote tare, display hold, resolution choice display, random weigh revising.
- Overload remind display, low battery warning.
- Chroming, smooth and rust proof.

TECHNOLOGY STANDARDS:

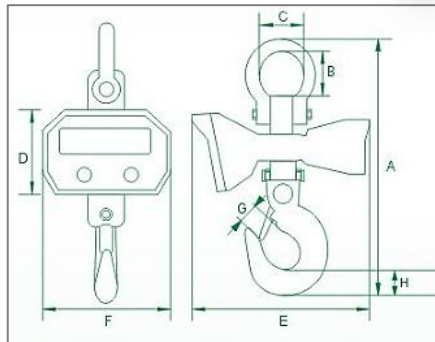
- Accuracy : conformity with international III scale standard (GB/T11883-2002).
- Battery Type: Fully sealed lead-acid battery, 6V/4Ah
- Security Overload: 150% FS
- Broken Overload: 300% FS
- Temperature: -10° C ~ 50° C
- Display: 5d 30mm (0.5") high brightness LED
- Battery of remote controller: 23A 12V x 1 battery
- Stability of reading: <5.0S
- Remote control: 10~15m
- Charger: DC12V / 1000mA
- Humidity: <90% R.H.
- Battery Last: 60 Hrs.



www.banhing.com



www.banhing.com



Specification :~

Model	Capacity	Graduation	Operation Temp.	Sensor Type	Net Weigh	Body Length
	(kg)	(kg)			(kg)	(mm)
UPW-5000 series	500	0.1	-10 ~ 50°C	STC	3 kg	265
	1000	0.1			7 kg	265
	1500	0.1			7 kg	265
	2000	0.5			7 kg	265
	3000	0.5			7 kg	340
	5000	1			14 kg	~
	10000	2			34 kg	~

MODEL	Capacity (Kg)	Divisions (kg)	Dimension (mm)				Size	Weight (kg)
			A	C	B	G		
			Total L	Ring W	Ring H	Hook W	H x L x W	
UPW-3000 series	15000	5	980	135	215	75	160 x 320 x 230	60
	20000	10	1030	135	215	90	160 x 320 x 230	65
	30000	10	1210	140	230	105	160 x 320 x 230	106

* Designs and specifications are subject to change for improvement without prior notice.

BAN HING HOLDING SDN. BHD.

No. 13-3, Jalan Raja Laut, 50350 Kuala Lumpur, Malaysia.

Tel: 603-4048 1000 / 4042 5970

Fax: 603-4050 8000

Website: www.banhing.com

Email: enquiry@banhing.com