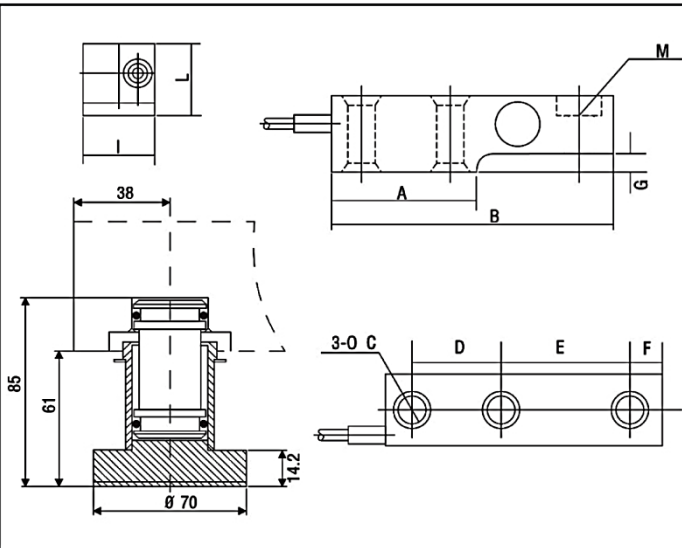


## Conti lever Beam Load Cell



### Dimension:



Rated Load	Size: mm									
Rated	A	B	C	D	E	F	G	I	L	M
20t	153	318	34	89	159	38	12.5	70	82.5	M18X1.5

### Load Cell Specifications:-

Model	MXL
Capacity	20t
Sensitivity MV/V	2 ± 0.01
Zero Balance	< 2% of Full Scale
Creep ( 1 hour )	< 0.03% of Full Scale
Non-linearity	< 0.03% of Full Scale
Hysteresis	< 0.03% of Full Scale
Repeatability	< 0.02% of Full Scale
Temperature effect on Output	< 20PPM / °C of Applied Load
Temperature effect on zero	< 20PPM / °C of Applied Load
Operating temperature range	- 20 °C to 60 °C
Compensated temperature range	- 10 °C to 50 °C
Safe Overload	1.5 x Capacity
Input Impedance	400 ± 10 Ohms
Output Impedance	350 ± 5 Ohms
Insulation Resistant	> 2,000 Meg - Ohms
Recommended Excitation	10 V DC/AC
Maximum Excitation	15 V DC/AC
Cable Length	20 m
Environmental Protection	IP 67

### Cable Color Code

Red	+ Excitation
Black	- Excitation
Green	+ Signal
White	- Signal

\* Designs and specifications are subject to change for improvement without prior notice.

## BAN HING HOLDING SDN BHD

No. 13-3, Jalan Raja Laut, 50350 Kuala Lumpur, Malaysia.

Tel: 603-4048 1000 / 4042 5970

Fax: 603-4050 8000

Website: [www.banhing.com](http://www.banhing.com)

Email: [enquiry@banhing.com](mailto:enquiry@banhing.com)